

SUBMITTAL DATA SHEET

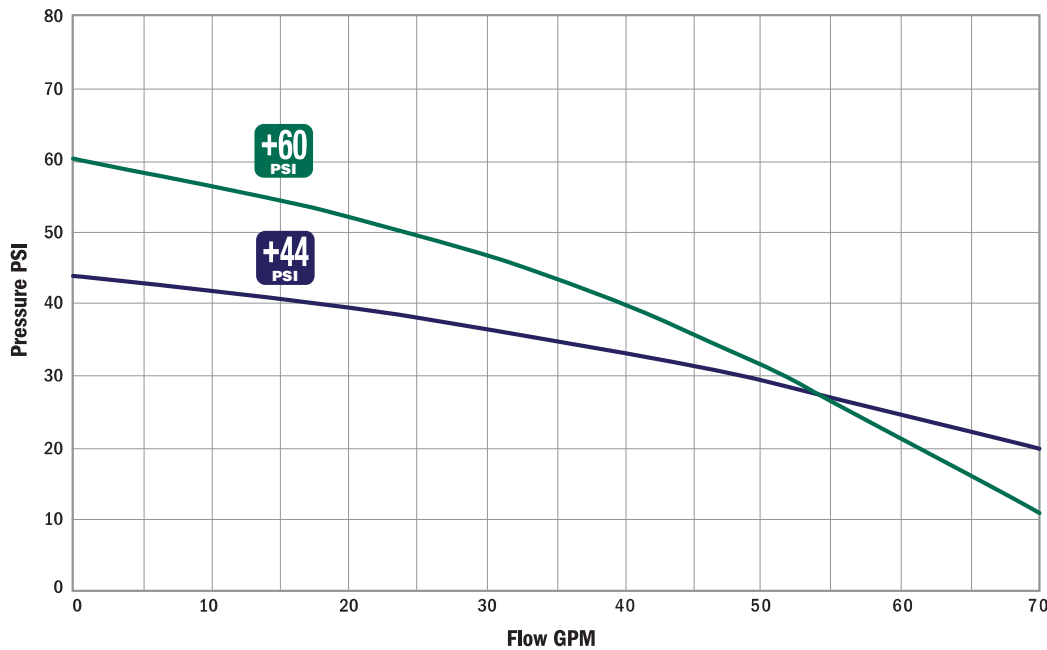
DuraMAC™ Booster Pumps Residential | Light Commercial | Commercial DuraMAC™ - Dual-Mode Modular



See Pumps & Accessories Price List for Limited Warranty details.

Not all boosting applications require complicated boosting systems. The DuraMAC™ Boosting system is simple, versatile, sophisticated, and reliable. Quite simply, it is the world's most versatile boosting system for commercial or irrigation use.

DuraMAC™ Performance (Additional Boost)



70 Gallon/Minute (GPM) Max

DuraMAC™ Model	Description	Pump Boost	Amps	Voltage	Power	Pressure Reducing Valve recommended for installation with incoming pressure greater than:
17044C070PC2-M	230V Booster System	44 PSI	7.0	230 - 60 Hz	2 HP	36 PSI
17060C070PC2-M	230V Booster System	60 PSI	8.0	230 - 60 Hz	2 HP	20 PSI

Pressure tank required. See instruction manual for sizing information.

*Many plumbing codes do not recommend system pressure exceeding 80 PSI. Refer to local plumbing codes for maximum boosted pressure.

SUBMITTAL INFORMATION

- Easy set-up installation
- Digital control with dual modes of operation
- Durable stainless steel and no-lead brass connections
- TEFC single phase motor for quiet operation
- Electronics separated and sealed from waterway
- Pressure gauge included
- No-Lead brass check valve included (Meets no-lead compliance)

NO-LEAD: The weighted average of the wetted surface of this no-lead product contacted by consumable water contains less than one quarter of one percent (0.25%) lead.



A.Y. McDonald Mfg. Co.
P.O. Box 508
Dubuque, IA 52004-0508

Toll Free: 1-800-292-2737
Fax: 1-800-832-9296
Hours: 7:00 a.m. - 5:00 p.m., CST

sales@aymcdonald.com
www.aymcdonald.com

A.Y. McDonald considers the information on this assembly drawing correct when published. Item and option availability, including specifications, are subject to change without notice.

Submitted by:

SUBMITTAL DATA SHEET

DuraMAC™ Booster Pumps Residential | Light Commercial | Commercial DuraMAC™ - Dual-Mode Modular



See Pumps & Accessories Price List for Limited Warranty details.

Control Features

The DuraMAC™ Dual-Mode control has the flexibility to be run in two different modes.



PRESSURE MODE

START METHOD: Pressure Drop
STOP METHOD: Low Flow

In Pressure Mode, the control accurately measures pressure with a pressure transducer and starts the pump at an adjustable start pressure point. The pump will stop when the flow is less than 3 Gallons per Minute.

This smart system will only run the pump when water is in use. There is a preset 7 second delay after water is not flowing past the flow sensor to fully pressurize your system and eliminate water hammer.



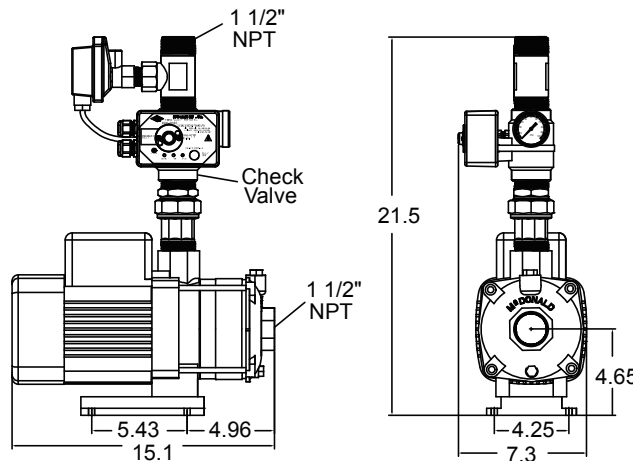
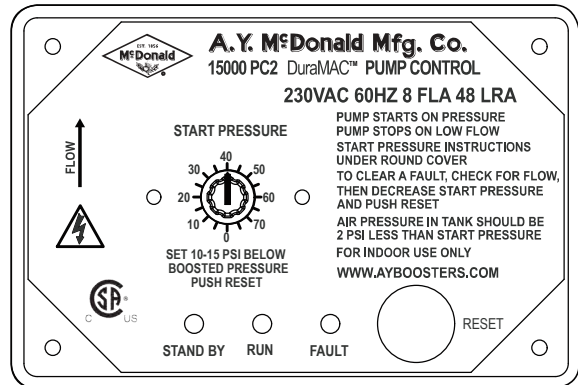
FLOW MODE

START METHOD: Water Flow
STOP METHOD: Low Flow

In Flow Mode, the control will start and stop on flow, regardless of pressure. This method can be used for systems with minor leaking or when incoming pressure varies. The starting flow rate is approximately 5 Gallons per Minute. The pump will stop when the flow is less than 3 Gallons per Minute.

Materials of Construction

Impellers	304 Stainless Steel
Pump Casing Inlet	301 Stainless Steel
Pump Casing Outlet	301 Stainless Steel
Pump Seal (stationary)	Silicon Carbide
Pump Seal (rotating)	Carbon / NBR
Diffuser	304 Stainless Steel
Union Connection	No-Lead Brass
Check Valve	No-Lead Brass
Pump Control	No-Lead Brass
Motor - Single Phase	2 HP TEFC



Dual-Mode Modular Shown. Skid mounted Simplex and Duplex available.

NO-LEAD: The weighted average of the wetted surface of this no-lead product contacted by consumable water contains less than one quarter of one percent (0.25%) lead.



A.Y. McDonald Mfg. Co.
P.O. Box 508
Dubuque, IA 52004-0508

Toll Free: 1-800-292-2737
Fax: 1-800-832-9296
Hours: 7:00 a.m. - 5:00 p.m., CST

sales@aymcdonald.com
www.aymcdonald.com

A.Y. McDonald considers the information on this assembly drawing correct when published. Item and option availability, including specifications, are subject to change without notice.

Submitted by:

SUBMITTAL DATA SHEET

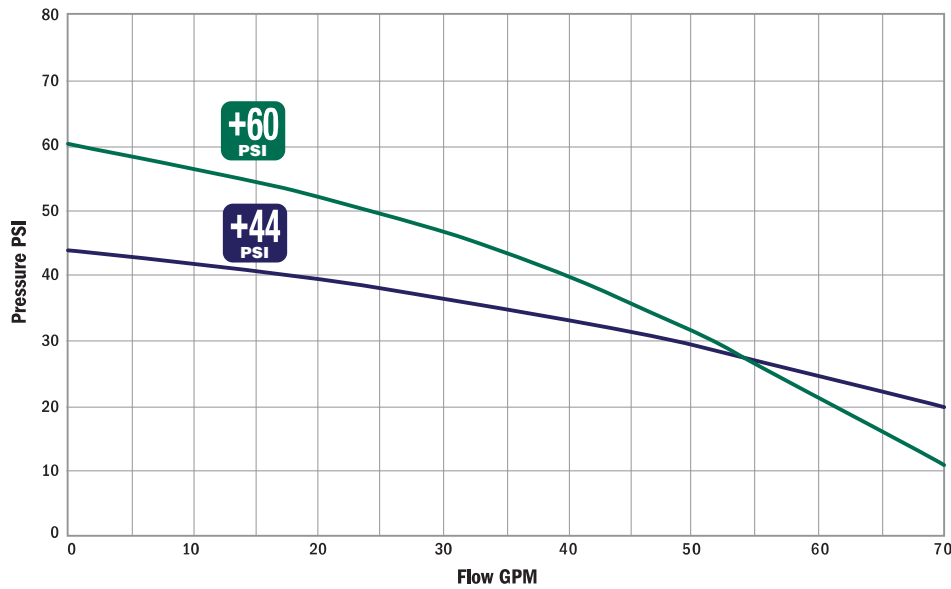
DuraMAC™ Booster Pumps Residential | Light Commercial | Commercial DuraMAC™ - Dual-Mode Simplex



See Pumps & Accessories Price List for Limited Warranty details.

Not all boosting applications require complicated boosting systems. The DuraMAC™ Boosting system is simple, versatile, sophisticated, and reliable. Quite simply, it is the world's most versatile boosting system for commercial or irrigation use.

DuraMAC™ Performance (Additional Boost)



70 Gallon/Minute (GPM) Max

DuraMAC™ Model	Description	Pump Boost	Amps	Voltage	Power	Pressure Reducing Valve recommended for installation with incoming pressure greater than:
17044C070PC2-S	230V Booster System	44 PSI	7.0	230 - 60 Hz	2 HP	36 PSI
17060C070PC2-S	230V Booster System	60 PSI	8.0	230 - 60 Hz	2 HP	20 PSI

Pressure tank required. See instruction manual for sizing information.

*Many plumbing codes do not recommend system pressure exceeding 80 PSI. Refer to local plumbing codes for maximum boosted pressure.

SUBMITTAL INFORMATION

- Easy set-up installation
- Digital control with dual modes of operation
- Durable stainless steel and no-lead brass connections
- TEFC single phase motor for quiet operation
- Electronics separated and sealed from waterway
- Pressure gauge included
- No-Lead brass check valve included
- Up to 70 GPM
- 20 gallon pressure tank
- Stainless steel base
- Dry run protection

NO-LEAD: The weighted average of the wetted surface of this no-lead product contacted by consumable water contains less than one quarter of one percent (0.25%) lead.



A.Y. McDonald Mfg. Co.
P.O. Box 508
Dubuque, IA 52004-0508

Toll Free: 1-800-292-2737
Fax: 1-800-832-9296
Hours: 7:00 a.m. - 5:00 p.m., CST

sales@aymcdonald.com
www.aymcdonald.com

A.Y. McDonald considers the information on this assembly drawing correct when published. Item and option availability, including specifications, are subject to change without notice.

Submitted by:

SUBMITTAL DATA SHEET

DuraMAC™ Booster Pumps Residential | Light Commercial | Commercial DuraMAC™ - Dual-Mode Simplex



See Pumps & Accessories
Price List for Limited
Warranty details.

Control Features

The DuraMAC™ Dual-Mode control has the flexibility to be run in two different modes.



PRESSURE MODE

START METHOD: Pressure Drop
STOP METHOD: Low Flow

In Pressure Mode, the control accurately measures pressure with a pressure transducer and starts the pump at an adjustable start pressure point. The pump will stop when the flow is less than 3 Gallons per Minute.

This smart system will only run the pump when water is in use. There is a preset 7 second delay after water is not flowing past the flow sensor to fully pressurize your system and eliminate water hammer.



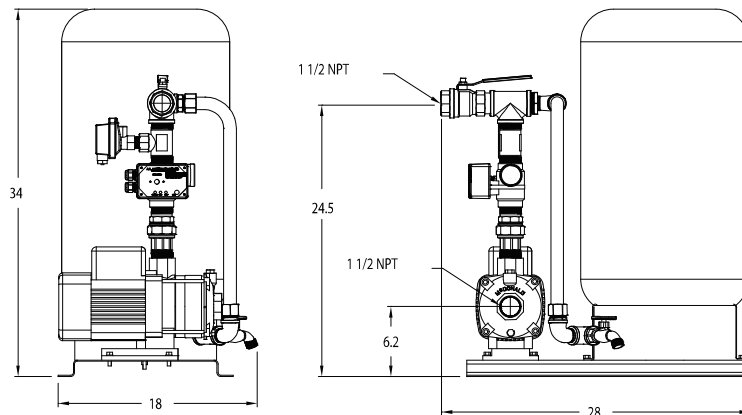
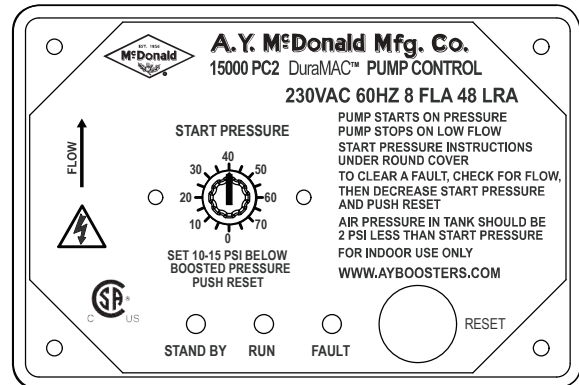
FLOW MODE

START METHOD: Water Flow
STOP METHOD: Low Flow

In Flow Mode, the control will start and stop on flow, regardless of pressure. This method can be used for systems with minor leaking or when incoming pressure varies. The starting flow rate is approximately 5 Gallons per Minute. The pump will stop when the flow is less than 3 Gallons per Minute.

Materials of Construction

Impellers	304 Stainless Steel
Pump Casing Inlet	301 Stainless Steel
Pump Casing Outlet	301 Stainless Steel
Pump Seal (stationary)	Silicon Carbide
Pump Seal (rotating)	Carbon / NBR
Diffuser	304 Stainless Steel
Union Connection	No-Lead Brass
Check Valve	No-Lead Brass
Pump Control	No-Lead Brass
Motor - Single Phase	2 HP TEFC
Base	304 Stainless Steel



Simplex base mounted with 20 gallon tank.

NO-LEAD: The weighted average of the wetted surface of this no-lead product contacted by consumable water contains less than one quarter of one percent (0.25%) lead.



A.Y. McDonald Mfg. Co.
P.O. Box 508
Dubuque, IA 52004-0508

Toll Free: 1-800-292-2737
Fax: 1-800-832-9296
Hours: 7:00 a.m. - 5:00 p.m., CST

sales@aymcdonald.com
www.aymcdonald.com

A.Y. McDonald considers the information on this assembly drawing correct when published. Item and option availability, including specifications, are subject to change without notice.

Submitted by:

SUBMITTAL DATA SHEET

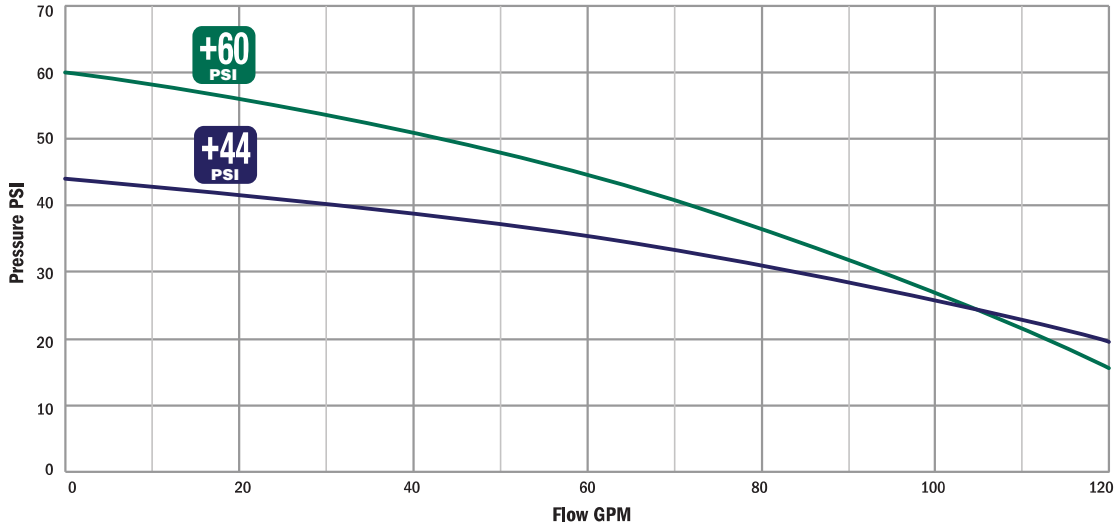
DuraMAC™ Booster Pumps Residential | Light Commercial | Commercial **DuraMAC™ - Dual-Mode Duplex**



See Pumps & Accessories Price List for Limited Warranty details.

Not all boosting applications require complicated boosting systems. The DuraMAC™ Boosting system is simple, versatile, sophisticated, and reliable. Quite simply, it is the world's most versatile boosting system for commercial or irrigation use.

DuraMAC™ Performance (Additional Boost - Both Pumps Running)



120 Gallon/Minute (GPM) Max

DuraMAC™ Model	Description	Pump Boost	Amps	Voltage	Power	Pressure Reducing Valve recommended for installation with incoming pressure greater than:
17044C120PC2-D	230V Booster System	44 PSI	7.0	230 - 60 Hz	2 HP	36 PSI
17060C120PC2-D	230V Booster System	60 PSI	8.0	230 - 60 Hz	2 HP	20 PSI

Pressure tank required. See instruction manual for sizing information.

*Many plumbing codes do not recommend system pressure exceeding 80 PSI. Refer to local plumbing codes for maximum boosted pressure.

SUBMITTAL INFORMATION

- Easy set-up installation
- Digital control with dual modes of operation
- Durable stainless steel and no-lead brass connections
- TEFC single phase motor for quiet operation
- Electronics separated and sealed from waterway
- Pressure gauge included
- No-Lead brass check valve included
- Designed for Lead-Lag
- Up to 120 GPM
- 20 gallon pressure tank
- Stainless steel base
- Dry run protection

NO-LEAD: The weighted average of the wetted surface of this no-lead product contacted by consumable water contains less than one quarter of one percent (0.25%) lead.



A.Y. McDonald Mfg. Co.
P.O. Box 508
Dubuque, IA 52004-0508

Toll Free: 1-800-292-2737
Fax: 1-800-832-9296
Hours: 7:00 a.m. - 5:00 p.m., CST

sales@aymcdonald.com
www.aymcdonald.com

A.Y. McDonald considers the information on this assembly drawing correct when published. Item and option availability, including specifications, are subject to change without notice.

Submitted by:

SUBMITTAL DATA SHEET

DuraMAC™ Booster Pumps Residential | Light Commercial | Commercial DuraMAC™ - Dual-Mode Duplex



See Pumps & Accessories Price List for Limited Warranty details.

Control Features

The DuraMAC™ Dual-Mode control has the flexibility to be run in two different modes.



PRESSURE MODE

START METHOD: Pressure Drop

STOP METHOD: Low Flow

In Pressure Mode, the control accurately measures pressure with a pressure transducer and starts the pump at an adjustable start pressure point. The pump will stop when the flow is less than 3 Gallons per Minute.

This smart system will only run the pump when water is in use. There is a preset 7 second delay after water is not flowing past the flow sensor to fully pressurize your system and eliminate water hammer.



FLOW MODE

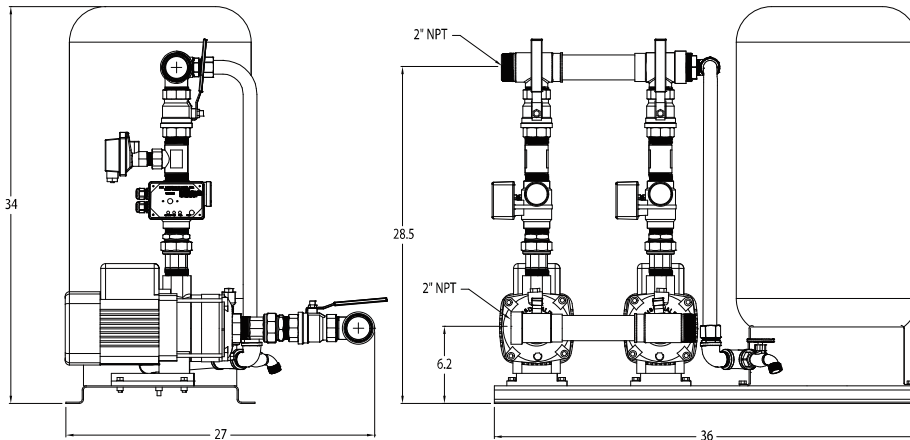
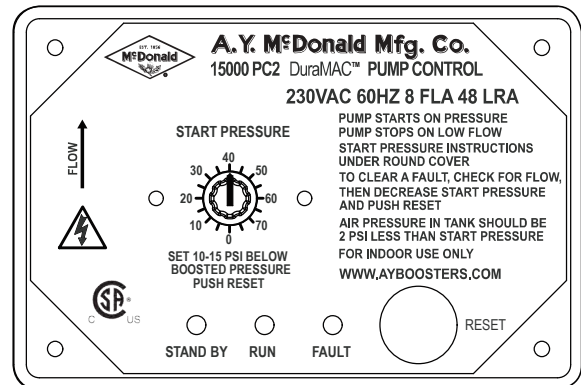
START METHOD: Water Flow

STOP METHOD: Low Flow

In Flow Mode, the control will start and stop on flow, regardless of pressure. This method can be used for systems with minor leaking or when incoming pressure varies. The starting flow rate is approximately 5 Gallons per Minute. The pump will stop when the flow is less than 3 Gallons per Minute.

Materials of Construction

Impellers	304 Stainless Steel
Pump Casing Inlet	301 Stainless Steel
Pump Casing Outlet	301 Stainless Steel
Pump Seal (stationary)	Silicon Carbide
Pump Seal (rotating)	Carbon / NBR
Diffuser	304 Stainless Steel
Union Connection	No-Lead Brass
Check Valve	No-Lead Brass
Pump Control	No-Lead Brass
Motor - Single Phase	2 HP TEFC
Base	304 Stainless Steel



Duplex base mounted with 20-gallon tank 2" NPT manifolds with ball valves.

NO-LEAD: The weighted average of the wetted surface of this no-lead product contacted by consumable water contains less than one quarter of one percent (0.25%) lead.



A.Y. McDonald Mfg. Co.
P.O. Box 508
Dubuque, IA 52004-0508

Toll Free: 1-800-292-2737
Fax: 1-800-832-9296
Hours: 7:00 a.m. - 5:00 p.m., CST

sales@aymcdonald.com
www.aymcdonald.com

A.Y. McDonald considers the information on this assembly drawing correct when published. Item and option availability, including specifications, are subject to change without notice.

Submitted by: